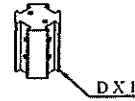
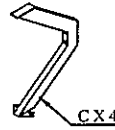
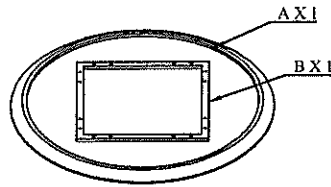


LIST OF HARDWARE

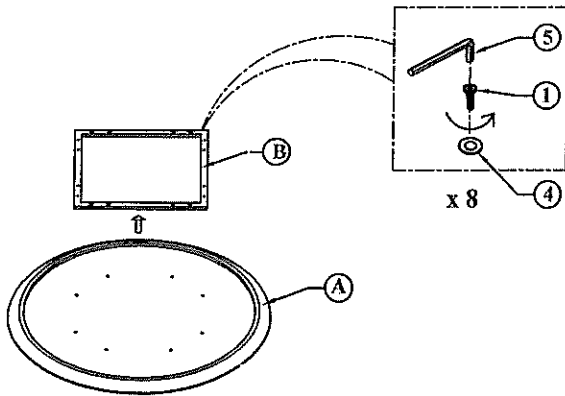
No.	Hardware	Q.ty
①	Bolts M6 x 35	08
②	Bolts M6 x 20	08
③	Bolts M6 x 100	08
④	Washers M6	16
⑤	Allen key K4	01
⑥	Wrench 13	01



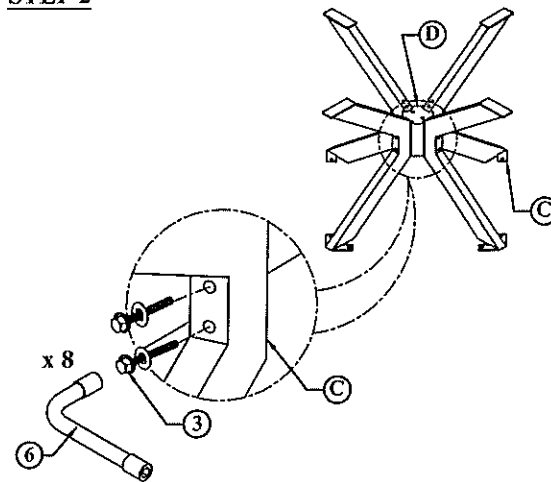
Pls do not tighten the screws and bolts before fully assembled

STEP 1

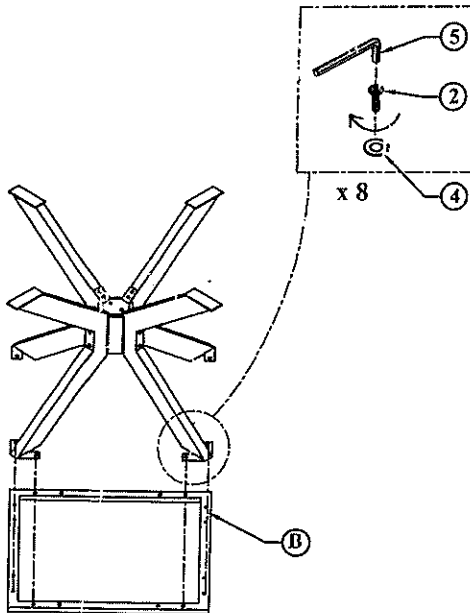
Remove the metal frame on the top table



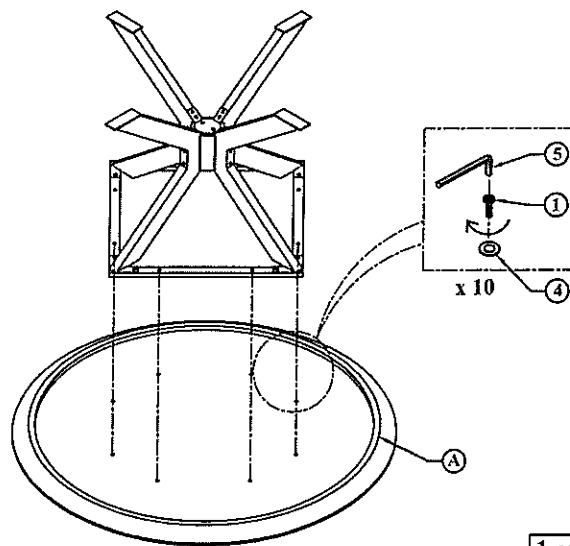
STEP 2



STEP 3



STEP 4



HYSTAR INTERNATIONAL™ INDUSTRY ROUND DINING TABLE
1 1/2" x 24" x 30" x 30" x 30"
ASSEMBLY INSTRUCTIONS

FINISH

